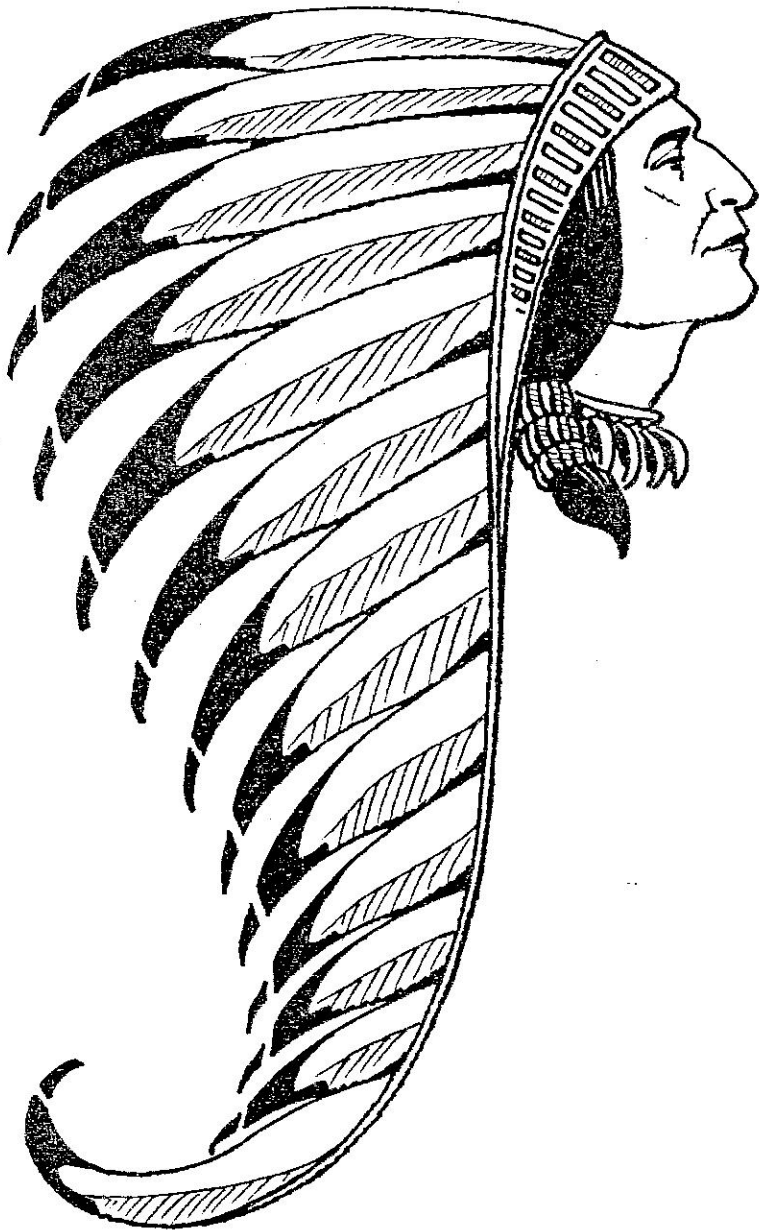


THE  
**Indian**  
MOTORCYCLE COMPANY



1975 MODEL YEAR  
**MI-175/MT-175  
MOTORCYCLE  
FRAME  
ASSEMBLY**

FOR ENGINE PARTS 48E  
80612025

**FACTORY  
PARTS  
LIST**

PART NO 80602045

--- NOTICE ---

This manual is based on units in production at the time of publication shown below. However, the Company reserves the right to make changes to models, procedures, and specifications at any time without prior notice.

Please study the terms and definitions below in order to properly use the information given within the parts tables.

**DIMENSIONS:** Unless stated otherwise, all dimensions are in millimeters. Dimensions are given in the following manner.

TUBING – Inside diameter X Length                      O-RINGS – Cross section X Inside diameter

WASHERS, SHIMS, COLLARS – Inside diameter X Outside diameter X Thickness (length)

PINS – Outside diameter X Length                      NUTS – Thread size X Pitch X Size

BOLTS, STUDS – Thread size X Pitch X Overall length

**SYMBOLS:** Various space-saving symbols are used to aid descriptions.

ℓ or L = Length

s = "set of"

F# = Frame Number

t = Thickness

T = Number of "Teeth"

V = Rated Voltage

O.D. or I.D. = "Outside" or "Inside" Diameter

Ø = Diameter

A.R. = "As Required"

W = Rated Wattage

**ASSEMBLIES:** Certain assemblies are orderable. Component parts of those assemblies are preceded by a dot (.) in the following manner:

CLUTCH ASSY  
. HOUSING, Clutch  
. SPRING, Clutch  
. CAP, Spring  
(etc)

THE INDIAN MOTORCYCLE COMPANY  
OFFICIAL FACTORY  
SERVICE PUBLICATION

All rights reserved by The Indian Motorcycle Company, Culver City, California. No part of this work may be reproduced or copied in any form or by any means -- graphic, electronic, or mechanical, including photocopying, recording, taping, or information and retrieval systems -- without written permission of the publisher.

©The Indian Motorcycle Co.  
Culver City, Calif. 90230

*No liability can be accepted for any inaccuracies or omissions within this publication. All procedures and specifications subject to change without notice.*



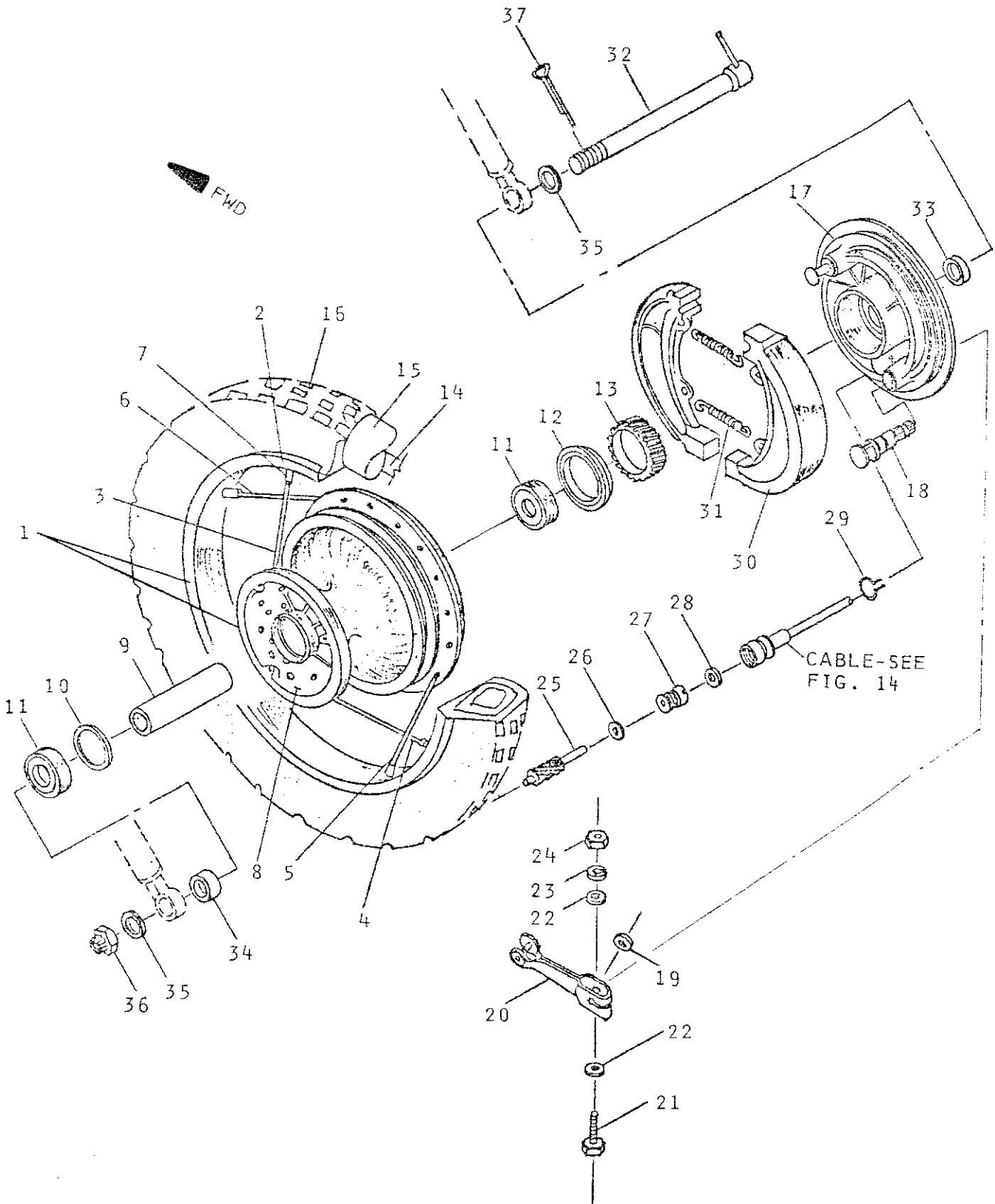
MI-175/MT-175 MOTORCYCLE PARTS LIST

TABLE OF CONTENTS

FIGURE	DESCRIPTION	PAGE
-	WHEEL & SUSPENSION GROUP	-
1	FRONT WHEEL & BRAKE	3
2	REAR WHEEL & BRAKE	5
3	FRONT FORK	9
4	REAR SHOCK & SWINGARM	11
-	CONTROL GROUP	-
5	HANDLEBAR & CABLES	13
6	BRAKE PEDAL & FOOTPEGS	15
-	FRAME GROUP	-
7	FRAME ASSY & ENGINE MOUNT	17
8	EXHAUST SYSTEM	19
-	BODY GROUP	-
9	FUEL & OIL TANKS	21
10	AIR FILTER	23
11	SEAT	25
12	FRONT FENDER & SIDE PANELS	27
13	REAR FENDER & TAILLIGHT BKT	29
-	ELECTRICAL GROUP	-
14	SPEEDOMETER & MAIN SWITCHES	31
15	HEADLIGHT & TURN SIGNAL	33
16	TAILLIGHT & TURN SIGNAL	35
17	WIRE HARNESS & MISC ELECT.	37

FIGURE - 1

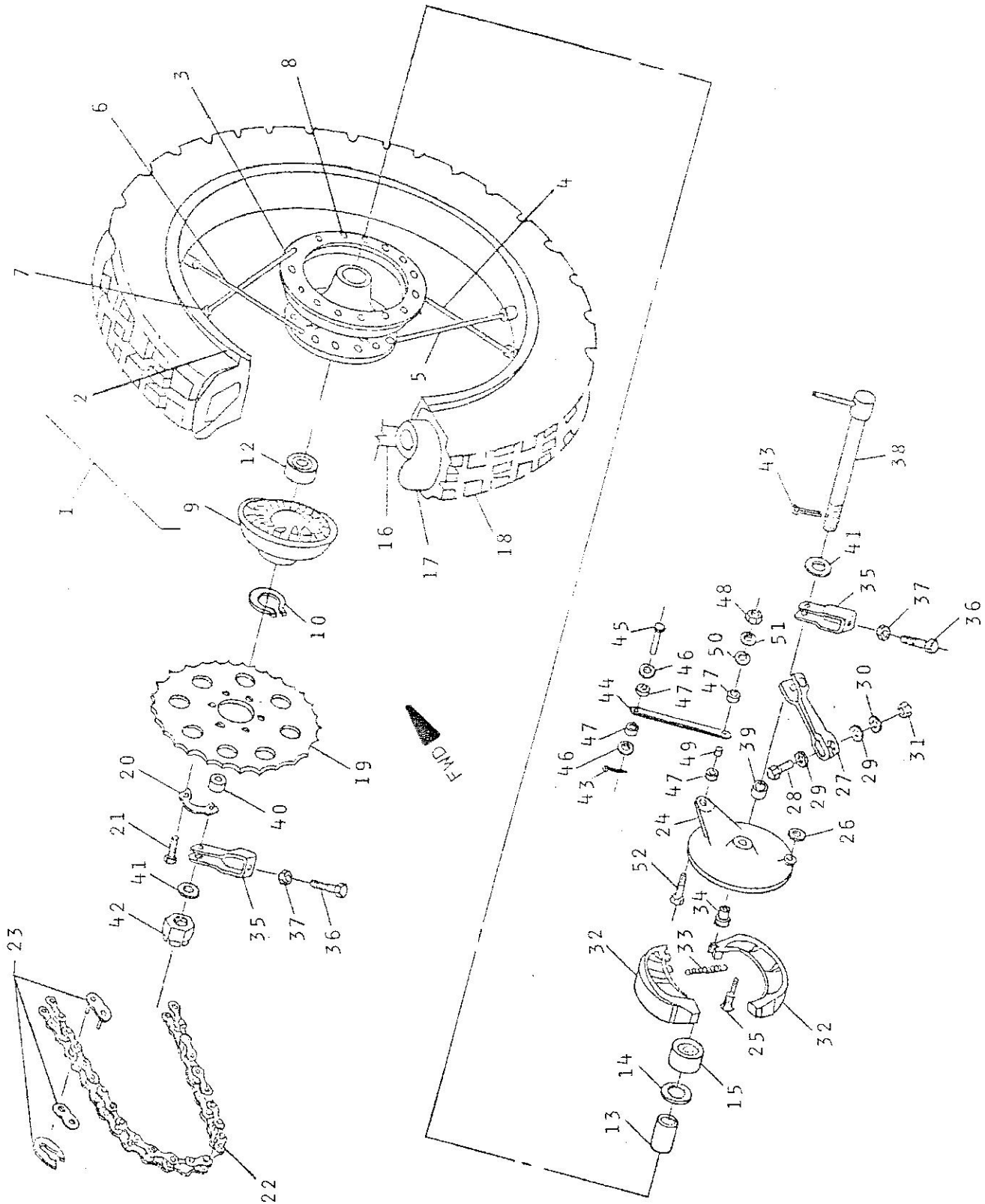
FRONT WHEEL & BRAKE





REF. NO.	PART NUMBER	QTY	DESCRIPTION	REMARKS
1-1	13004166	1	FRONT WHEEL ASSY - CONICAL HUB	INCLUDES BEARINGS & SPEEDO GEAR
1-2	13004002	1	.RIM - 19"	
1-3	13004132	9	.SPOKE - LH SHORT	10 X 214 X 110°
1-4	13004133	9	.SPOKE - LH LONG	10 X 217 X 110°
1-5	13004134	9	.SPOKE - RH INNER	10 X 202 X 100°
1-6	13004135	9	.SPOKE - RH OUTER	10 X 202 X 80°
1-7	74-0091	36	.NIPPLE	10 GA.
1-8	13004181	1	.HUB	
1-9	13004256	1	.SPACER	68.1MM
1-10	13004044	1	.SHIM	
1-11	74-0073	2	.BEARING	
1-12	13004207	1	.SEAL	
1-13	13004208	1	.DRIVE GEAR	} NOT FURNISHED ON MT
1-14	13004005	1	RIM STRAP	
1-15	80401004	1	INNER TUBE	3.00 - 19
1-16	80311003	1	TIRE - TRIALS BLOCK	3.00 - 19
1-16	80301012	1	TIRE - KNOB	3.00 - 19
1-17	13004182	1	BACKING PLATE	MI ONLY
1-17	13004257	1	BACKING PLATE - NOT DRILLED FOR SPEEDO.	MT ONLY
1-18	13004201	1	BRAKE CAM	
1-19	13004038	1	SHIM	
1-20	13004258	1	BRAKE ARM	
1-21	61106035	1	BOLT	6 X 1 X 35
1-22	62000106	2	WASHER	6MM
1-23	62001106	1	LOCKWASHER	6MM
1-24	61500106	1	NUT	6 X 1.0
1-25	13004206	1	SPEEDO PINION	
1-26	13004205	1	WASHER	
1-27	13004204	1	RETAINER, PINION	
1-28	13004203	1	SEAL	
1-29	13004202	1	RETAINING CLIP, CABLE	} FOR USE IN 13004182 BACKING PLATE ONLY
1-30	13004075	2	BRAKE SHOE	
1-31	13004076	2	SPRING	SOLD AS SET OF 2
1-32	11304033	1	AXLE	5/8"
1-33	13004168	1	SPACER - RH	6.5MM
1-34	13004167	1	SPACER - LH	12.5MM
1-35	62000316	2	WASHER	16MM HD
1-36	11504013	1	NUT, CASTELLATED	15MM
1-37	11104169	1	COTTER PIN	3 X 25

REAR WHEEL & BRAKE





THE *Indian*  
MOTORCYCLE COMPANY

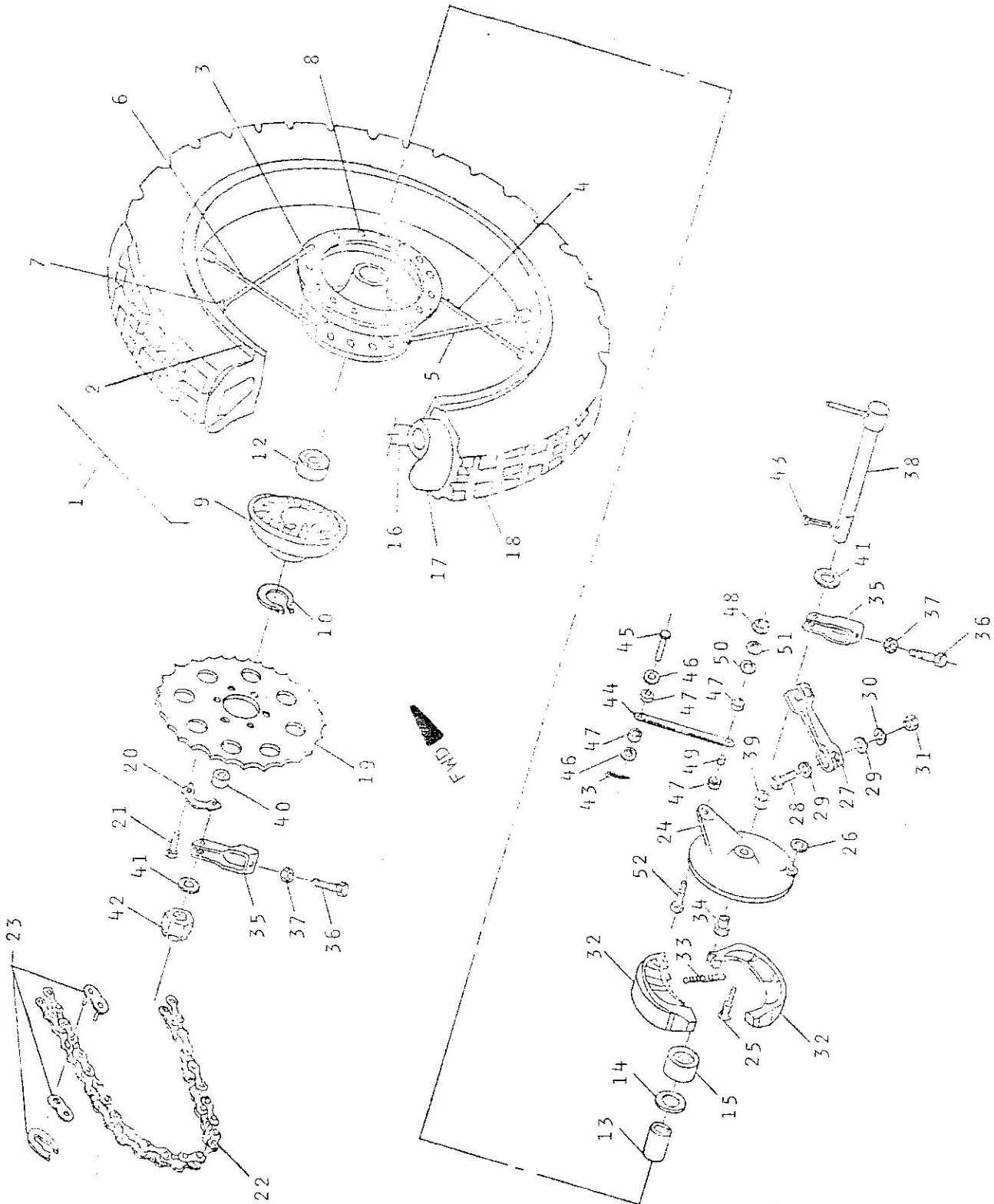
PARTS LIST - MI/MT-175 MOTORCYCLE  
FIGURE - 2 REAR WHEEL & BRAKE

PAGE 5

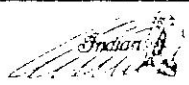
REF. NO.	PART NUMBER	QTY	DESCRIPTION	REMARKS
2-1	15103010	1	REAR WHEEL ASSY - SPOOL HUB 17"	INCLUDES BEARINGS
2-2	11104153	1	.RIM	
2-3	15103099	9	.SPOKE - RH OUTER	10 X 183 X 80°
2-4	15103097	9	.SPOKE - RH INNER	10 X 183 X 100°
2-5	15103098	9	.SPOKE - LH OUTER	10 X 190 X 80°
2-6	15103096	9	.SPOKE - LH INNER	10 X 190 X 100°
2-7	74-0091	36	.NIPPLE	10 GA.
2-8	15103094	1	.HUB	
2-9	15103093	1	.SPROCKET CARRIER	
2-10	15103298	1	.RETAINING RING	
2-12	13004045	1	.BEARING - LH	
2-13	15103296	1	.SPACER	108MM
2-14	13004044	1	.SHIM - RH	
2-15	13004090	1	.BEARING - RH	
2-16	11104154	1	RIM STRAP	
2-17	80401007	1	INNERTUBE	3.50 - 17
2-18	80311005	1	TIRE - TRIALS BLOCK	3.50 - 17
2-18	80301008	1	TIRE - KNOB	3.50 - 17
2-19	15103293	1	SPROCKET	#428 X 45T - STD
2-20	15103297	3	LOCKING TAB	
2-21	15103011	6	BOLT	
2-22	15103012	1	CHAIN	#428 X 106P
2-23	13004259	1	MASTERLINK	#428
2-24	15103199	1	BACKING PLATE	
2-25	13004074	1	BRAKE CAM	
2-26	13004038	1	SHIM	
2-27	13004066	1	BRAKE ARM	
2-28	61106030	1	BOLT	6 X 1 X 30
2-29	62000106	2	WASHER	6MM
2-30	62001106	1	LOCKWASHER	6MM
2-31	61500106	1	NUT	6 X 1
2-32	13004075	2	BRAKE SHOE	
2-33	13004076	2	SPRING	SOLD AS SET OF 2
2-34	13004073	1	BUSHING, BACKING PLATE	
2-35	74-0067	2	CHAIN ADJUSTER	
2-36	74-0068	2	BOLT	
2-37	61500108	2	NUT	8 X 1.25
2-38	15103294	1	AXLE	15MM
2-39	15103299	1	SPACER - RH	22.5MM
2-40	15103295	1	SPACER - LH	28MM
2-41	62000315	2	WASHER	15MM HD
2-42	11504013	1	NUT, CASTELLATED	15MM
2-43	11104169	2	COTTERPIN	3 X 25

80602045

REAR WHEEL & BRAKE







THE *Indian*  
MOTORCYCLE COMPANY

PARTS LIST -  
FIGURE - 2

MI/MT-175 MOTORCYCLE

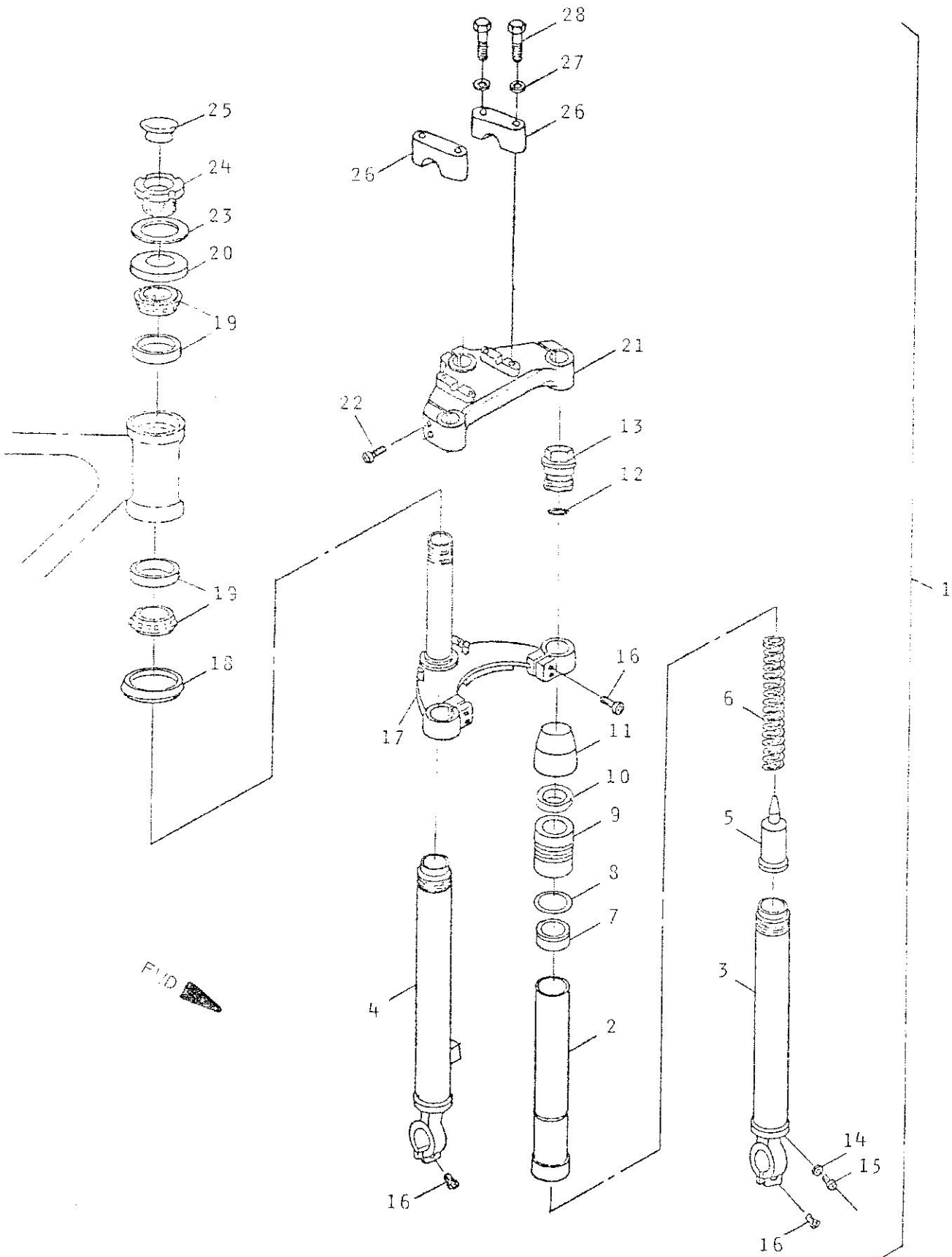
PAGE 7

REAR WHEEL & BRAKE

REF. NO.	PART NUMBER	QTY	DESCRIPTION	REMARKS
2-44	11304043	1	TORQUE ROD	
2-45	13004148	1	PIN	
2-46	62000112	2	WASHER	12MM
2-47	13004081	4	RUBBER WASHER	
	REF ITEM 43		COTTERPIN	
2-48	13004048	1	NUT	10 X 1.25 X 12MM HEX
2-49	13004082	1	SPACER	
	REF ITEM 47		RUBBER WASHER	
2-50	62000210	1	WASHER	10MM LARGE
2-51	62001110	1	LOCKWASHER	10MM
2-52	61110035	1	BOLT	10 X 1.25 X 35
	15103013	OPT	SPROCKET	34T
	15103014	OPT	SPROCKET	36T
	15103015	OPT	SPROCKET	39T
	15103016	OPT	SPROCKET	42T
	15103017	OPT	SPROCKET	48T

FIGURE - 3

FRONT FORK





THE  
**Indian**  
MOTORCYCLE COMPANY

PARTS LIST -  
FIGURE - 3

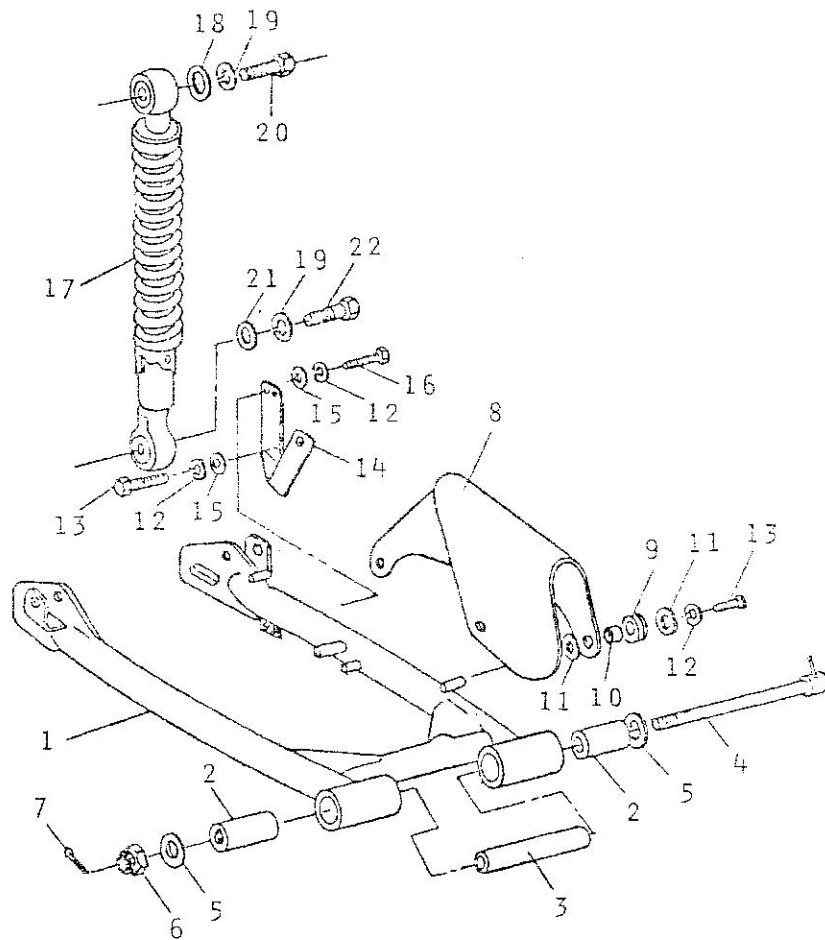
MI/MT-175 MOTORCYCLE  
FRONT FORK

PAGE 9

REF. NO.	PART NUMBER	QTY	DESCRIPTION	REMARKS
3-1	13004225	1	FORK ASSY	
3-2	13004231	2	.INNER TUBE ASSY	545MM
3-3	13004235	1	.LOWER LEG ASSY - LH	330MM
3-4	13004236	1	.LOWER LEG ASSY - RH	330MM
3-5	11104079	2	.DAMPER	
3-6	11104078	2	.SPRING	
3-7	11104077	2	.SLIDER	
3-8	11104076	2	.O-RING	
3-9	11104074	2	.FORK NUT	
3-10	11104075	2	.SEAL	
3-11	11104070	2	.DUST COVER	
3-12	13004246	2	.O-RING	
3-13	13004245	2	.PLUG	
3-14	74-0209	2	.O-RING	
3-15	74-0210	2	.SCREW	
3-16	61248025	6	.SCREW, SOCKET HD.	8 X 1.25 X 25
3-17	13004248	1	.STEM ASSY	
	REF ITEM 16		.SCREW	
3-18	13004110	1	.SEAL	
3-19	13004109	2	.BEARING	
3-20	13004111	1	.SHIELD	
3-21	13004249	1	.TOP CROWN	
3-22	61248030	6	.SCREW, SOCKET HEAD	8 X 1.25 X 30
3-23	13004252	1	.WASHER	
3-24	13004253	1	.SPLIT NUT	
3-25	13004254	1	.PLUG, STEM	
3-26	13004250	2	.CLAMP, HANDLEBAR	
3-27	62000108	4	.WASHER	8MM
3-28	13004255	4	.BOLT	8 X 1.25 X 40 CHROME

FIGURE - 4

REAR SHOCK & SWINGARM



FWD 



THE  
**Indian**  
MOTORCYCLE COMPANY

PARTS LIST -  
FIGURE - 4

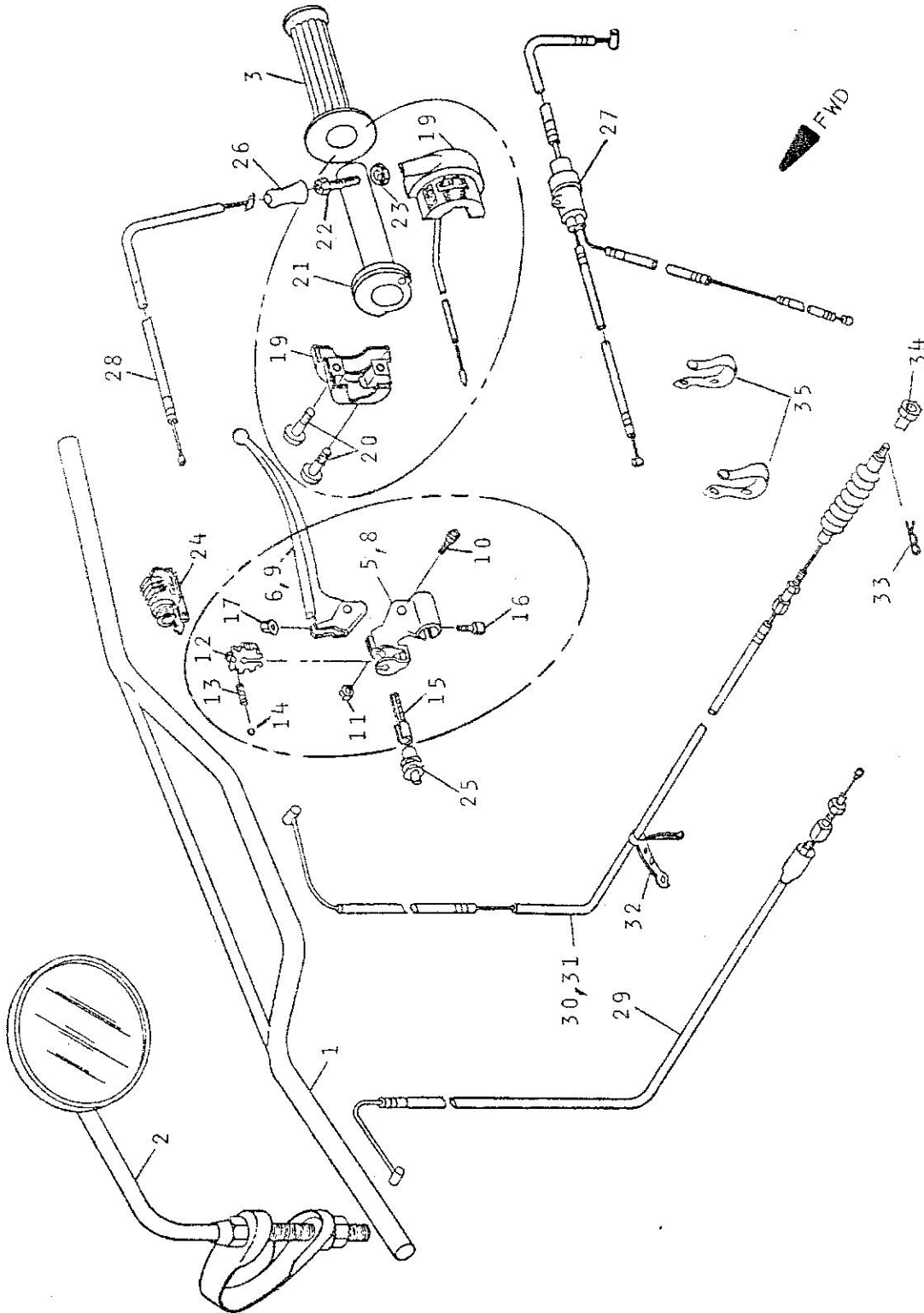
MI/MT-175 MOTORCYCLE

PAGE 11

REAR SHOCK & SWINGARM

REF. NO.	PART NUMBER	QTY	DESCRIPTION	REMARKS
4-1	15003498	1	SWINGARM ASSY	
4-2	11104178	2	BUSHING	
4-3	15003499	1	SPACER	
4-4	15003497	1	SWINGARM AXLE	
4-5	62000315	2	WASHER	15MM HD
4-6	11504013	1	NUT, CASTELLATED	15MM
4-7	11104169	1	COTTERPIN	3 X 25
4-8	11104145	1	CHAIN GUARD	
4-9	11104062	3	GROMMET	
4-10	11104063	3	SPACER	
4-11	62000206	6	WASHER	6MM LARGE
4-12	62001106	6	LOCKWASHER	6MM
4-13	61106016	4	BOLT	6 X 1 X 16
4-14	12104204	1	CHAIN GUIDE	
4-15	62000106	3	WASHER	6MM
	REF ITEM 12		LOCKWASHER	
4-16	61106012	2	BOLT	6 X 1 X 12
	REF ITEM 13		BOLT	
4-17	11114146	2	SHOCK ASSY	
4-18	62000210	2	WASHER	10MM LARGE
4-19	62001110	4	LOCKWASHER	10MM
4-20	61110055	2	BOLT	10 X 1.25 X 55
4-21	62000110	2	WASHER	10MM
4-22	61110040	2	BOLT	10 X 1.25 X 40

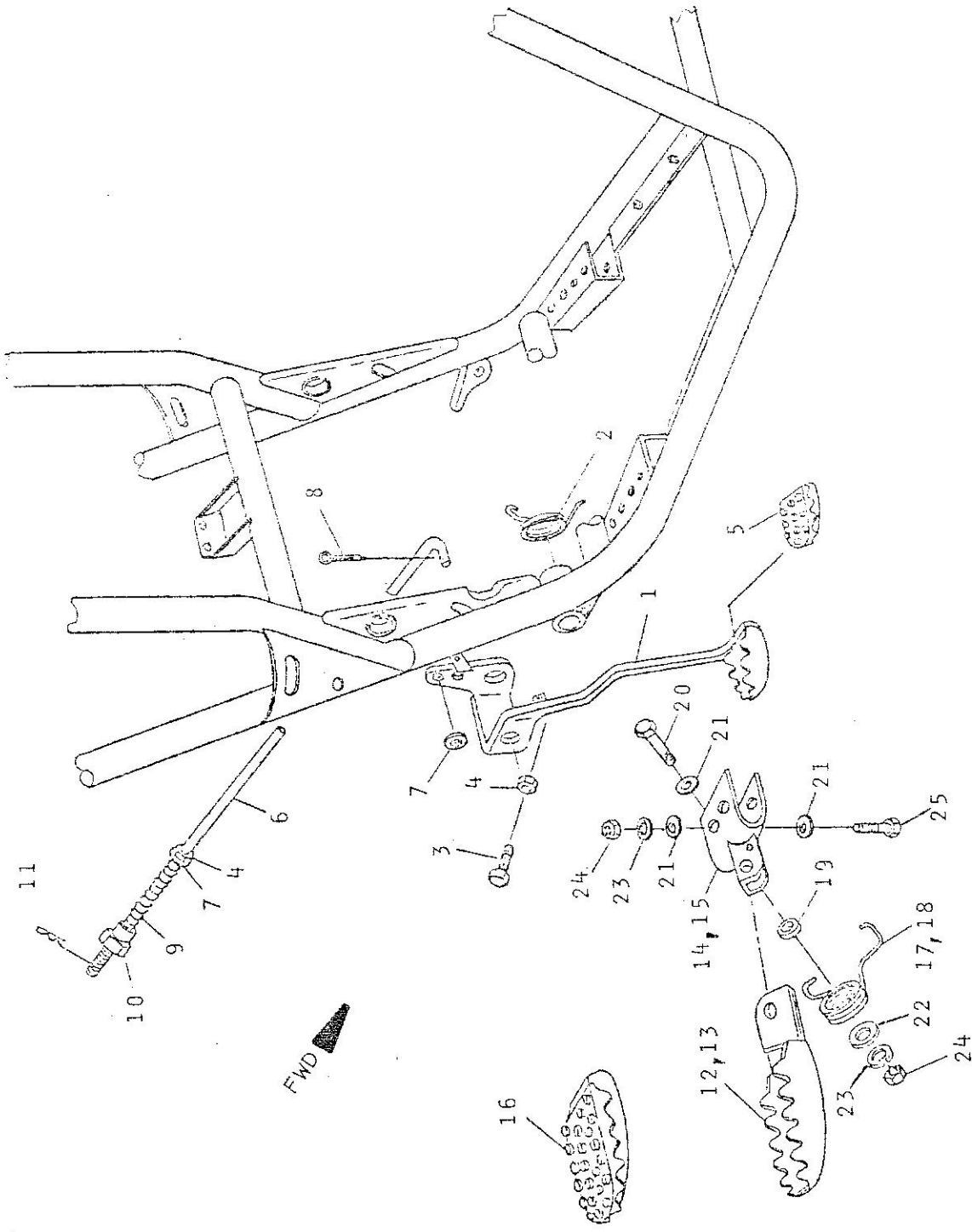
HANDLEBAR & CABLES





REF. NO.	PART NUMBER	QTY	DESCRIPTION	REMARKS
5-1	11114001	1	HANDLEBAR	
5-2	13004184	1	MIRROR	MI ONLY
5-3	13004169	1	GRIP - LH	7/8"
5-3	13004170	1	GRIP - RH	1"
			HAND LEVER ASSY	CLUTCH
5-5	11104008	1	.BRACKET - LH	
5-6	11104004	1	.LEVER - LH	
			HAND LEVER ASSY	BRAKE
5-8	11104009	1	.BRACKET - RH	
5-9	11104005	1	.LEVER - RH	
			QUANTITIES FOR ITEMS 10 THRU 17 ARE REQUIREMENTS FOR ONE OF EACH HAND LEVER ASSY.	
5-10	11104010	1	.SCREW, LEVER PIVOT	8 X 1.0 SPECIAL
5-11	11104011	1	.JAM NUT, PIVOT SCREW	8 X 1.0 SPECIAL
5-12	11104015	1	.ADJUSTING NUT	
5-13	11104017	1	.SPRING	
5-14	66901006	1	.BALL	3/16"
5-15	15003598	1	.ADJUSTER	
5-16	61248020	1	.SCREW, SOCKET HEAD	8 X 1.25 X 20
5-17	11104088	1	.NUT - BLACK FINISH	8 X 1.25
			THROTTLE CONTROL ASSY	
5-19	12005400	1	.THROTTLE SWITCH ASSY	INCLUDES SCREWS
5-20	61405025	2	.SCREW	5 X 0.8 X 25
5-21	13004125	1	.THROTTLE PIPE	
5-22	13004123	1	.CABLE ADJUSTER	
5-23	13004124	1	.ADJUSTER NUT	
5-24	13004129	2	LEVER COVER	
5-25	13004128	2	CABLE BOOT	
5-26	13004171	1	DUST COVER, THROTTLE.CABLE	
5-27	15003799	1	THROTTLE CABLE - W/OIL CONTROL	MI ONLY
5-28	15103799	1	THROTTLE CABLE	MT ONLY
5-29	15003798	1	CLUTCH CABLE	
5-30	13004161	1	BRAKE CABLE - W/SWITCH	MI ONLY
5-31	12104190	1	BRAKE CABLE	MT ONLY
5-32	74-0158	1	TIE STRAP - LARGE	145MM
5-33	74-0222/1	1	SPRING PIN	1.2 X 25
5-34	74-0220	1	ADJUSTER NUT	
5-35	13004179	2	TIE STRAP - SMALL	111MM

BRAKE PEDAL & FOOTPEGS







THE *Indian*  
MOTORCYCLE COMPANY

PARTS LIST -  
FIGURE - 6

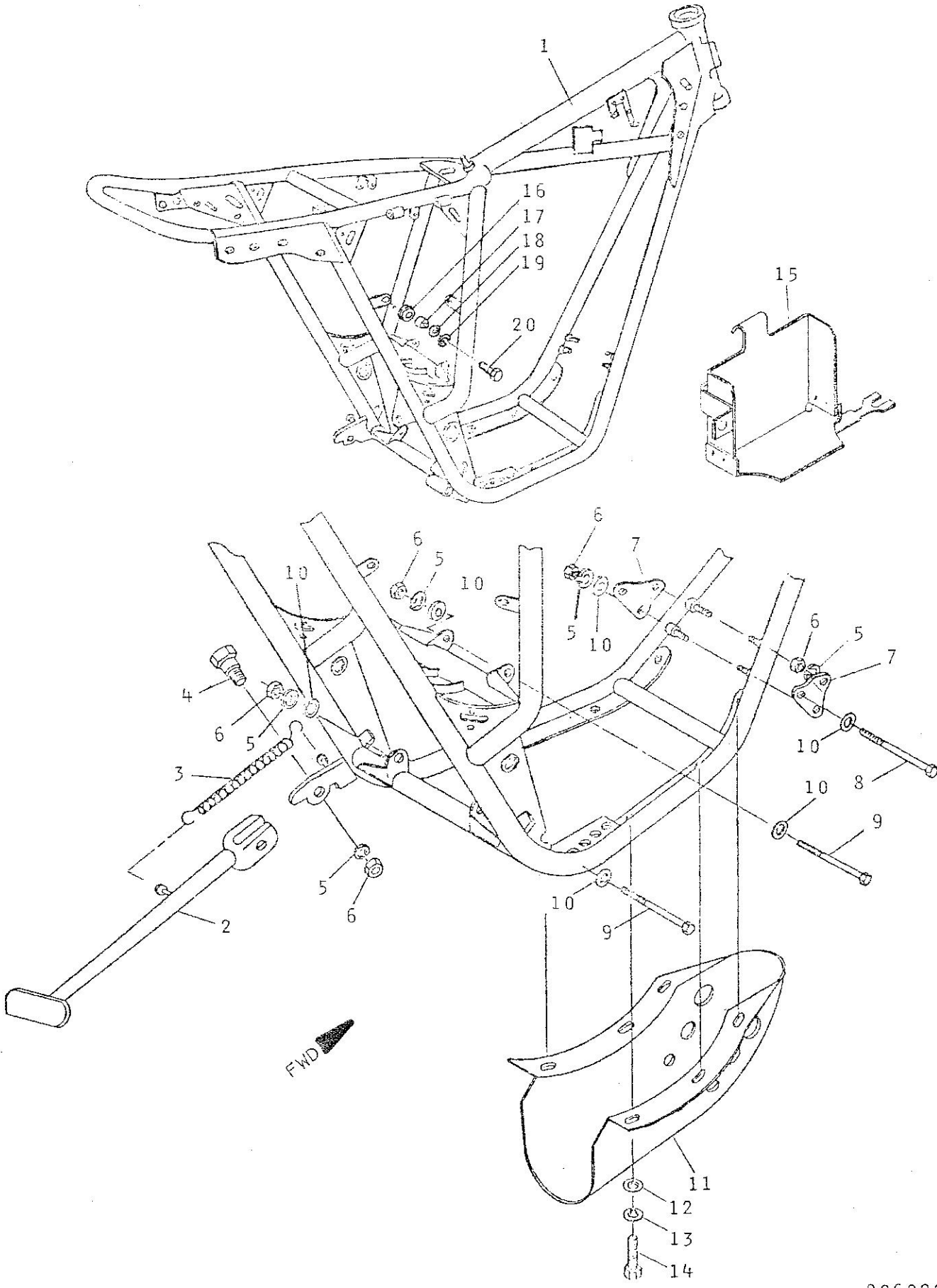
MI/MT-175 MOTORCYCLE

PAGE 15

BRAKE PEDAL & FOOTPEGS

REF. NO.	PART NUMBER	QTY	DESCRIPTION	REMARKS
6-1	15003697	1	BRAKE PEDAL	
6-2	15003699	1	RETURN SPRING	
	REF FIG. 2		ITEM 45 - PIN	
6-3	61106025	1	BOLT - PEDAL STOP	6 X 1 X 25
6-4	61500106	2	NUT	6 X 1
6-5	13004114	1	RUBBER - BRAKE PEDAL	MI ONLY
6-6	15003698	1	BRAKE ROD	482MM
6-7	62000206	2	WASHER	6MM LARGE
6-8	74-0222	1	COTTERPIN	1.5 X 20
	REF ITEM 4		NUT	
6-9	74-0216	1	SPRING	
6-10	74-0220	1	ADJUSTER NUT	
6-11	74-0222/1	1	SPRING PIN	1.2 X 25
6-12	13004115	1	FOOT PEG - LH	
6-13	13004117	1	FOOT PEG - RH	
6-14	11504033	1	BRACKET - LH	
6-15	11504034	1	BRACKET - RH	
6-16	13004116	2	RUBBER - FOOTPEG	MI ONLY
6-17	13004119	1	SPRING, LH FOOTPEG	
6-18	13004118	1	SPRING, RH FOOTPEG	
6-19	74-0229/1	2	SPACER	
6-20	61108050	2	BOLT	8 X 1.25 X 50
6-21	62000108	10	WASHER	8MM
6-22	62000208	2	WASHER	8MM LARGE
6-23	62001108	6	LOCKWASHER	8MM
6-24	61500108	6	NUT	8 X 1.25
6-25	61108045	4	BOLT	8 X 1.25 X 45

FRAME ASSY & ENGINE MOUNT

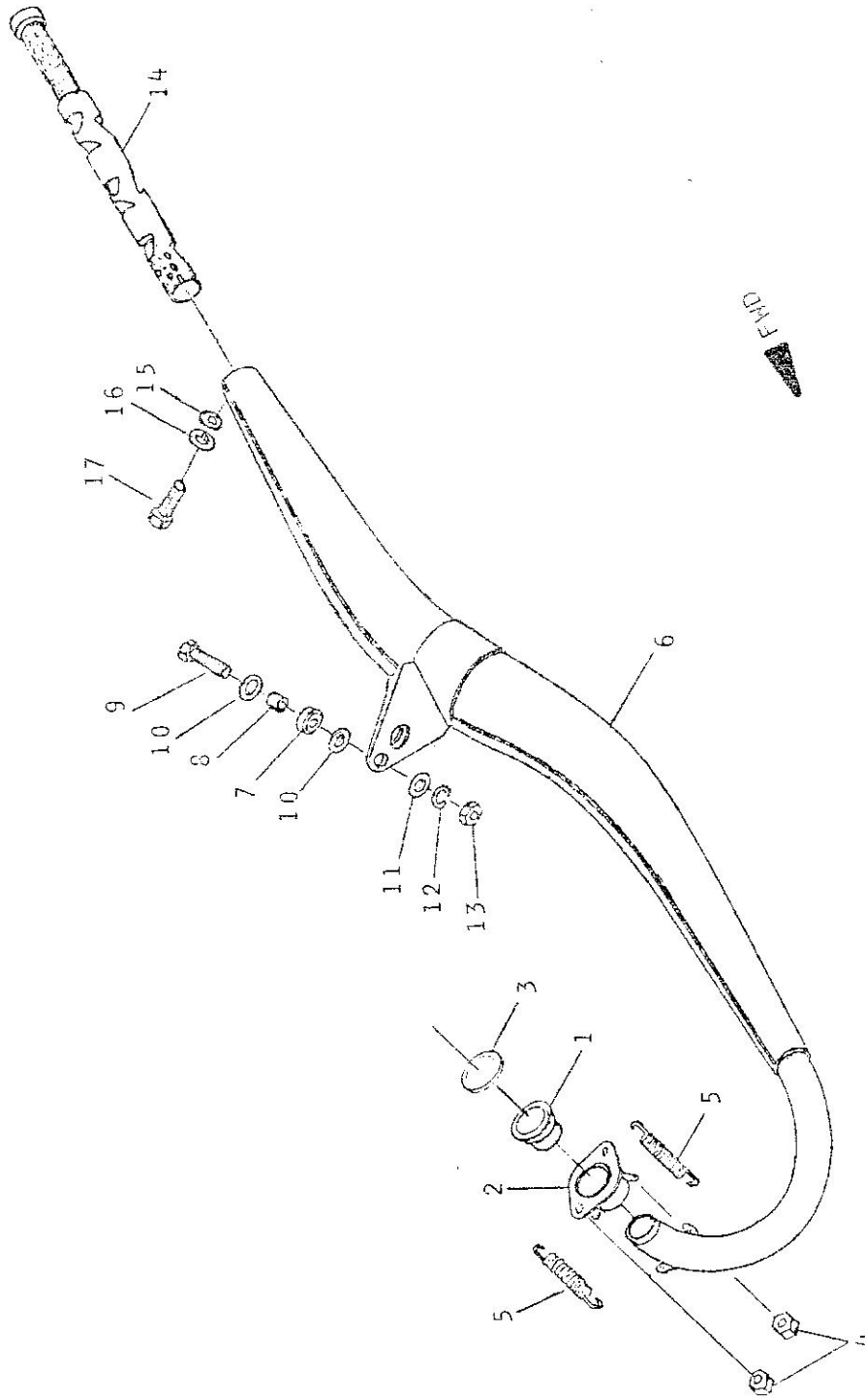




REF. NO.	PART NUMBER	QTY	DESCRIPTION	REMARKS
7-1	15104098	1	FRAME	
7-2	15004199	1	SIDE STAND	
7-3	74-0240	1	SPRING, SIDE STAND	
7-4	15004198	1	BOLT, SIDE STAND	
7-5	62001110	8	LOCKWASHER	10MM
7-6	61500150	8	NUT	10 X 1.25
7-7	15104299	2	ENGINE MTG. PLATE	
7-8	61110120	1	BOLT	10 X 1.25 X 120
7-9	61110090	2	BOLT	10 X 1.25 X 90
7-10	62000110	6	WASHER	10MM
	REF ITEM 5		LOCKWASHER	
	REF ITEM 6		NUT	
7-11	15004099	1	SKID PLATE	
7-12	62000106	6	WASHER	6MM
7-13	62001106	6	LOCKWASHER	6MM
7-14	61106020	6	BOLT	6 X 1.0 X 20
7-15	15005299	1	BATTERY BOX	
7-16	11104062	2	GROMMET	
7-17	11104063	2	SPACER	
7-18	62000206	2	WASHER	6MM LARGE
7-19	62001106	2	LOCKWASHER	6MM
7-20	61106025	2	BOLT	6 X 1.0 X 25

} MI ONLY

FIGURE - 3  
EXHAUST SYSTEM

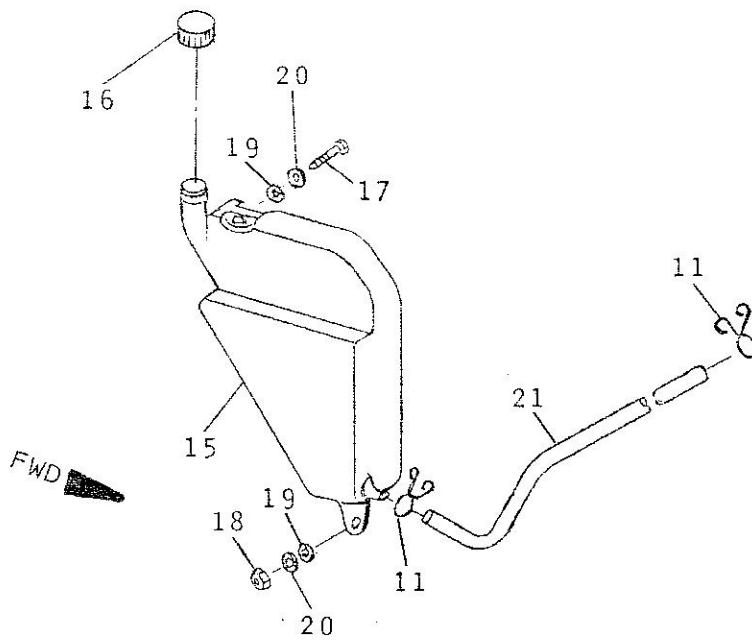
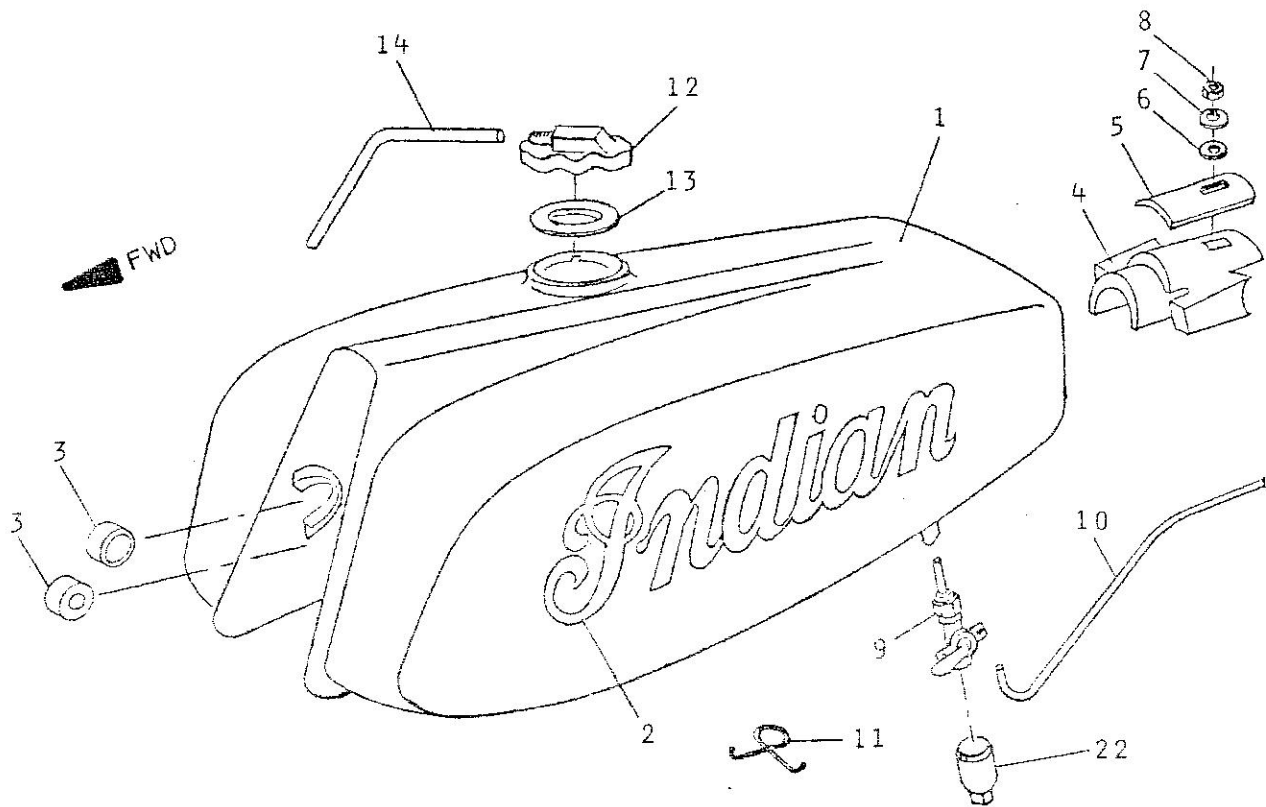


FWD



REF. NO.	PART NUMBER	QTY	DESCRIPTION	REMARKS
8-1	15104022	1	EXHAUST SPIGOT	
8-2	15104023	1	FLANGE	
8-3	15004397	1	GASKET	
8-4	61500106	2	NUT	6 X 1.0
8-5	13004137	2	SPRING	
8-6	15104010	1	MUFFLER BODY	
8-7	11104125	1	GROMMET	
8-8	11104126	1	SPACER	
8-9	61110035	1	BOLT	10 X 1.25 X 35
8-10	62000210	2	WASHER	10MM LARGE
8-11	62000110	1	WASHER	10MM
8-12	62001110	1	LOCKWASHER	10MM
8-13	61500150	1	NUT	10 X 1.25
8-14	15104015	1	MUFFLER CORE	
8-15	62000106	1	WASHER	6MM
8-16	62001106	1	LOCKWASHER	6MM
8-17	61106010	1	BOLT	6 X 1.0 X 10

FUEL & OIL TANKS





THE *Indian*  
MOTORCYCLE COMPANY

PARTS LIST -  
FIGURE - 11

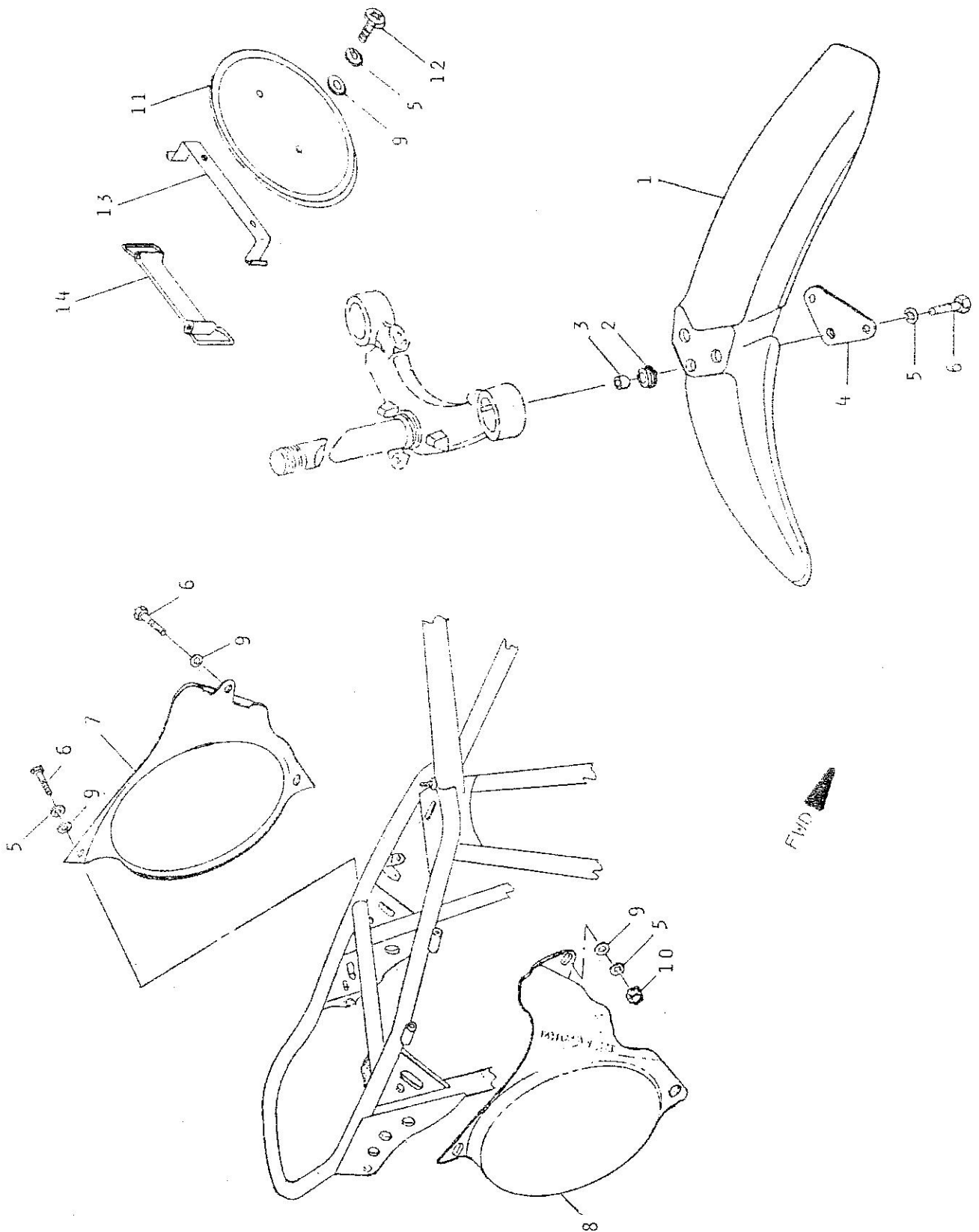
MI/MT-175 MOTORCYCLE  
SEAT

PAGE 25

REF. NO.	PART NUMBER	QTY	DESCRIPTION	REMARKS
11-1	15004696	1	SEAT ASSY	
11-2	11104106	1	.SEAT COVER - BLACK	
11-2	11114106	1	.SEAT COVER - BROWN	
11-3	13004144	1	HINGE	
11-4	13004145	1	LATCH PIN	
11-5	15004697	1	SHIM	
11-6	62000206	6	WASHER	6MM LARGE
11-7	62001106	6	LOCKWASHER	6MM
11-8	61500106	6	NUT	6 X 1.0
11-9	13004142	1	HINGE PIN	
11-10	15004699	1	ROD, SUPPORT	
11-11	62000105	4	WASHER	5MM
11-12	74-0222/1	4	SPRING PIN	1.2 X 25
11-13	13004146	1	LATCH HOOK	
11-14	13004220	1	SPRING, SEAT LATCH	
11-15	62000208	2	WASHER	8MM LARGE
	REF ITEM 12		SPRING PIN	
11-16	11504059	4	BUMPER	

FIGURE - 12

FRONT FENDER & SIDE PANELS







THE **Indian**  
MOTORCYCLE COMPANY

PARTS LIST -  
FIGURE - 12

MI/MT-175 MOTORCYCLE

PAGE 27

FRONT FENDER & SIDE PANELS

REF. NO.	PART NUMBER	QTY	DESCRIPTION	REMARKS
12-1	13004156	1	FRONT FENDER - BLACK	
12-1	11104056	1	FRONT FENDER - SILVER	
12-1	11114280	1	FRONT FENDER - ORANGE	
12-1	13004151	1	FRONT FENDER - GREEN	
12-1	11114055	1	FRONT FENDER - GOLD	
12-1	11124055	1	FRONT FENDER - WHITE	
12-1	13004152	1	FRONT FENDER - BLUE	
12-1	13004153	1	FRONT FENDER - YELLOW	
12-1	13004154	1	FRONT FENDER - BROWN	
12-1	11114054	1	FRONT FENDER - RED	
12-2	13004033	3	GROMMET	
12-3	13004032	3	SPACER	
12-4	11304051	1	PLATE	
12-5	62001106	10	LOCKWASHER	6MM
12-6	61106020	8	BOLT	6 X 1.0 X 20
12-7	15104799	1	SIDE PANEL - LH	
12-8	15104798	1	SIDE PANEL - RH	
12-9	62000206	6	WASHER	6MM LARGE
	REF ITEM 5		LOCKWASHER	
	REF ITEM 6		BOLT	
12-10	61500106	1	NUT	6 X 1.0
12-11	15004899	1	NUMBER PLATE	} MT ONLY 6 X 1.0 X 12
12-12	61406012	2	SCREW	
12-13	11504067	1	MOUNT	
12-14	11504068	1	BAND	
	REF ITEM 9		WASHER	
	REF ITEM 5		LOCKWASHER	

80602045

FIGURE - 13

REAR FENDER & TAILLIGHT BRKT

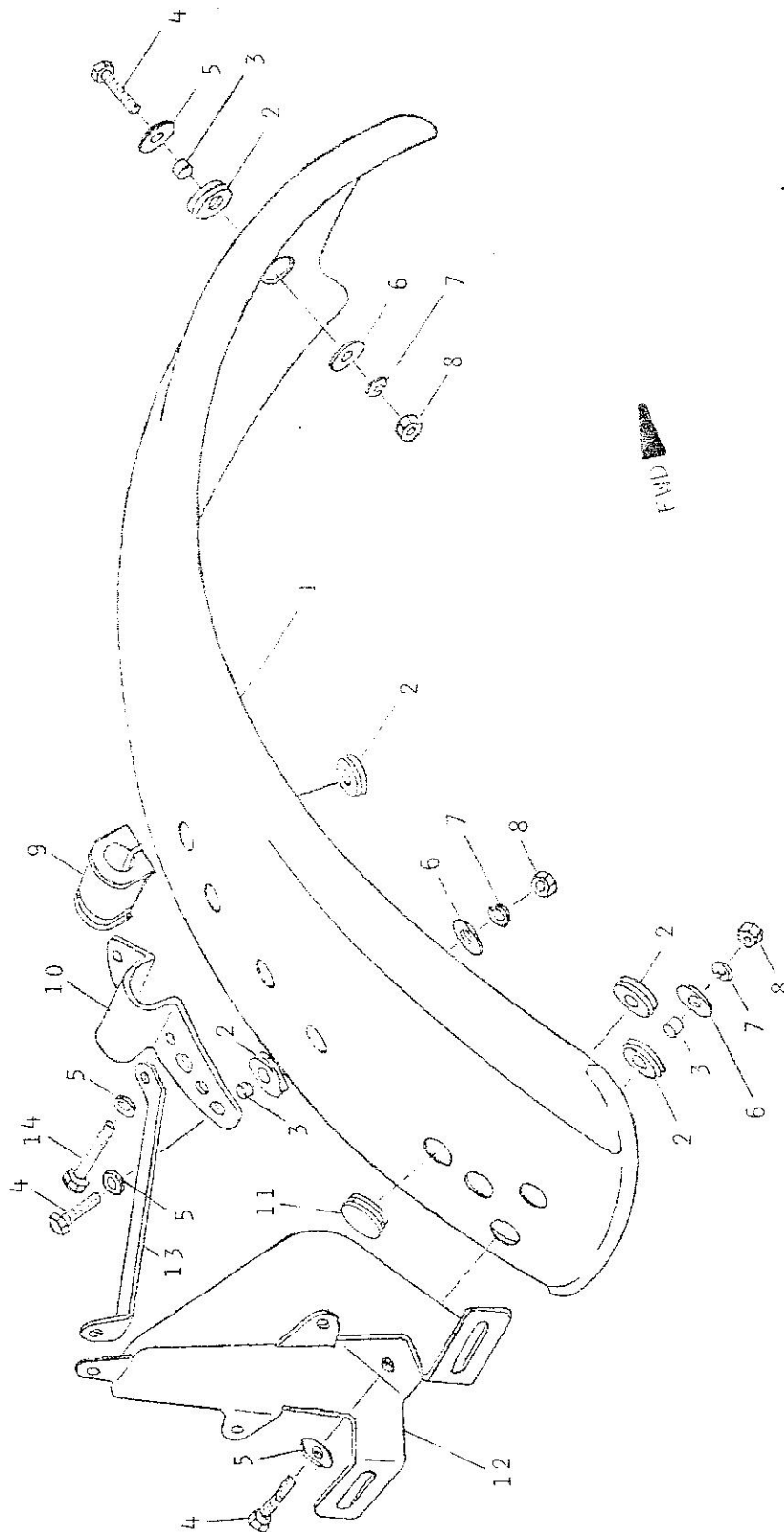
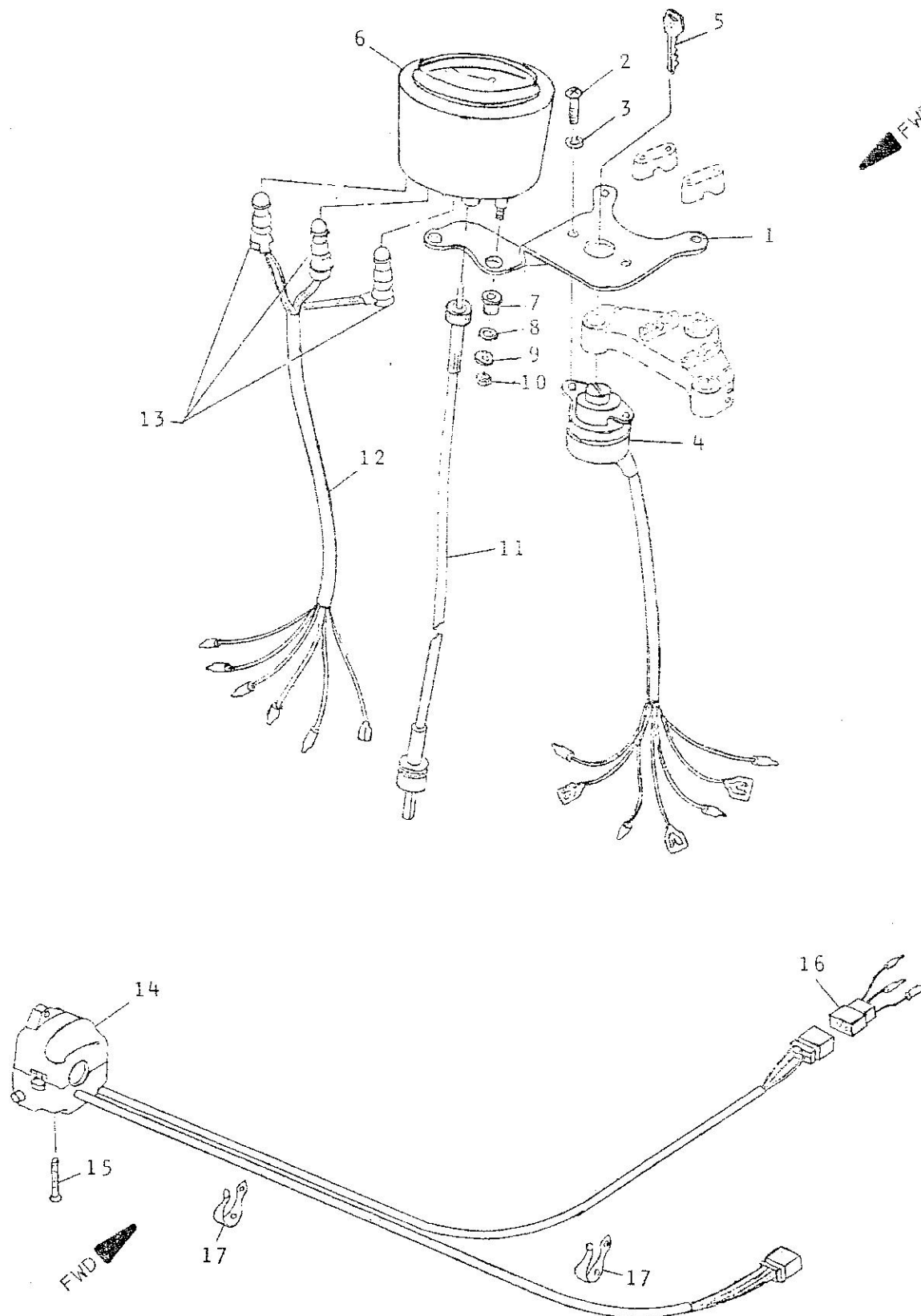




FIGURE - 14

SPEEDOMETER & MAIN SWITCHES





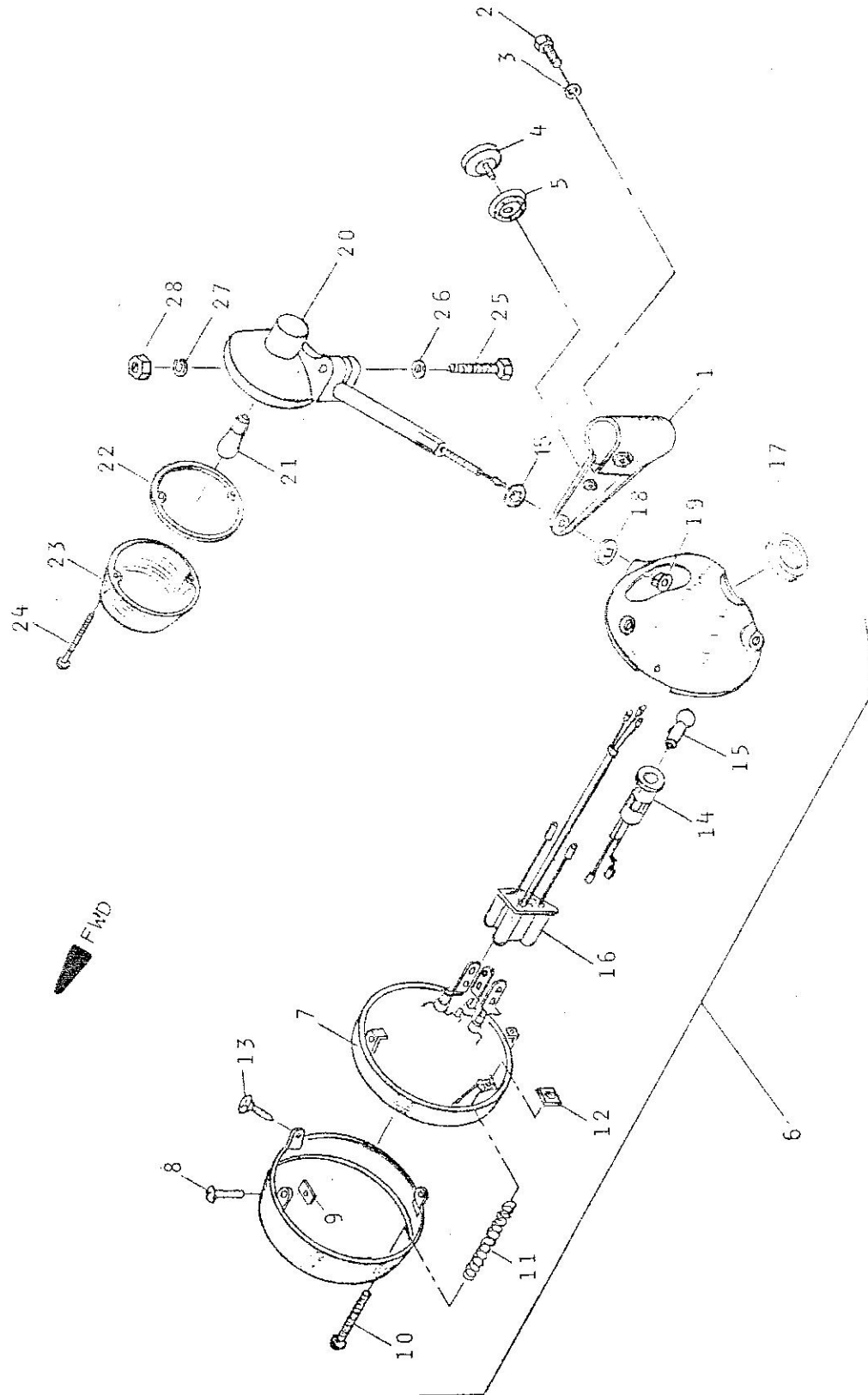
THE **Indian**  
MOTORCYCLE COMPANY

PARTS LIST - MI/MT-175 MOTORCYCLE  
FIGURE - 14 SPEEDOMETER & MAIN SWITCHES

PAGE 31

REF. NO.	PART NUMBER	QTY	DESCRIPTION	REMARKS
14-1	15005699	1	SPEEDO BRACKET	
14-2	61404010	2	SCREW	4 X 0.7 X 10
14-3	62001104	2	LOCKWASHER	4MM
14-4	15005498	1	IGNITION SWITCH ASSY	INCLUDES KEY
14-5	11105018	2	.KEY - NO. 3533	
14-5	11105019	2	.KEY - NO. 1531	
14-5	11105020	2	.KEY - NO. 2531	
14-5	11105021	2	.KEY - NO. 2533	
14-5	11105022	2	.KEY - NO. 1513	
14-5	11105023	2	.KEY - NO. 3531	
14-5	11105024	2	.KEY - NO. 4531	
14-5	11105025	2	.KEY - NO. 4533	
14-5	11105026	2	.KEY - NO. 3353	
14-6	15005698	1	SPEEDOMETER	
14-7	11105033	2	GROMMET	
14-8	62000206	2	WASHER	6MM LARGE
14-9	62001106	2	LOCKWASHER	6MM
14-10	61500106	2	NUT	6 X 1.0
14-11	13004131	1	SPEEDO CABLE	
14-12	15005697	1	SPEEDO WIRE HARNESS	
14-13	11105013	3	.LAMP	6V 1.5W
14-14	11105011	1	SWITCH ASSY, HI-LO COMBINATION	INCLUDES SCREWS
14-15	61405025	2	.SCREW	5 X 0.8 X 25
14-16	11105059	1	ADAPTER HARNESS	
14-17	13004179	2	TIE STRAP - SMALL	111MM
ALL OF THE ABOVE ARE FOR MI ONLY				

HEADLIGHT & TURN SIGNAL





THE  
**Indian**  
MOTORCYCLE COMPANY

PARTS LIST - MI/MT-175 MOTORCYCLE

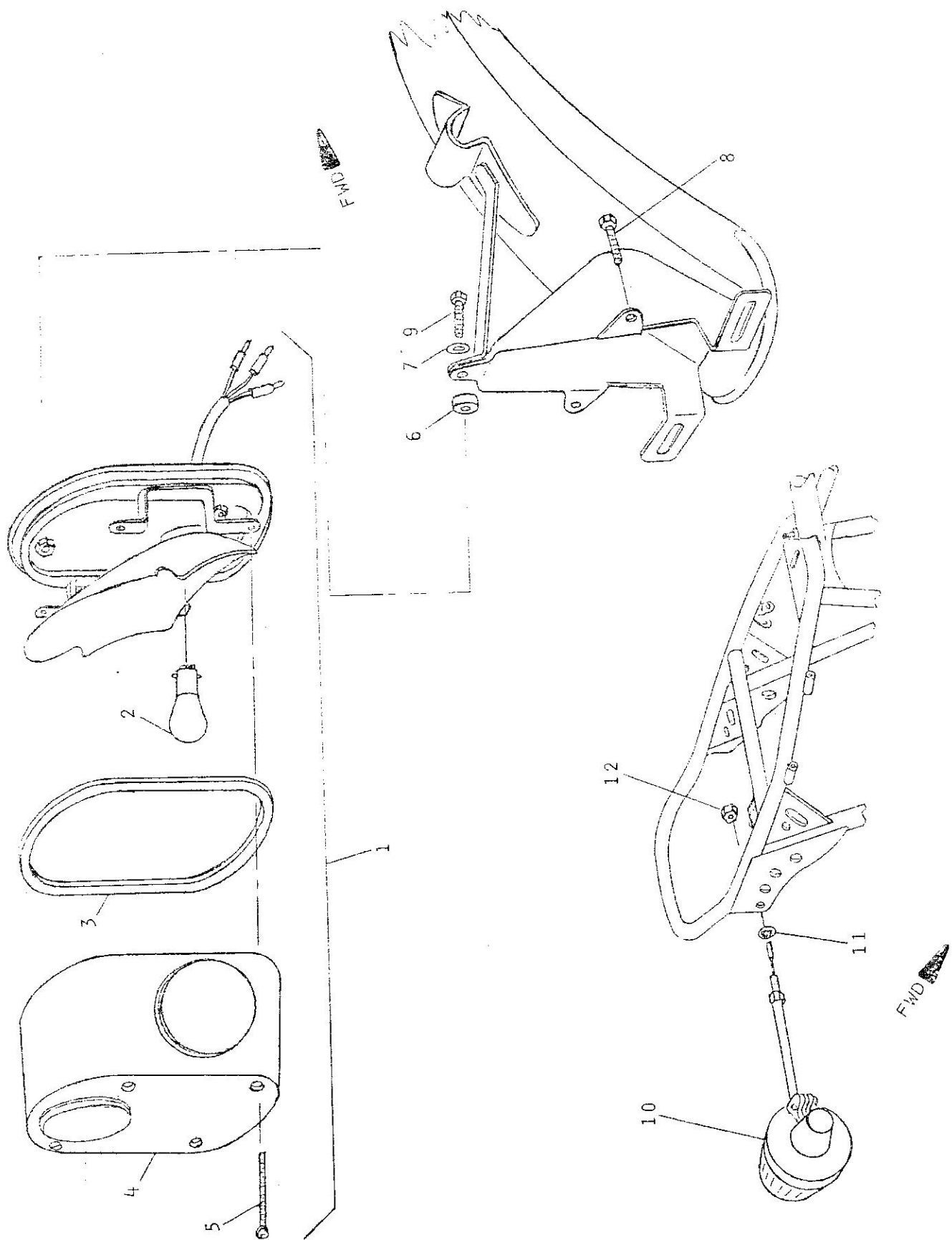
PAGE 33

FIGURE - 15

HEADLIGHT & TURN SIGNAL

REF. NO.	PART NUMBER	QTY	DESCRIPTION	REMARKS
15-1	13004173	2	HEADLIGHT BRACKET	
15-2	61106025	2	BOLT	6 X 1.0 X 25
15-3	62000106	2	WASHER	6MM
15-4	13004172	2	REFLECTOR - AMBER	
15-5	11104279	2	GASKET, REFLECTOR	
15-6	13005015	1	HEADLIGHT ASSY	
15-7	13005016	1	.LAMP ASSY, SEALED BEAM	
15-8	61404008	2	.SCREW	4 X 0.7 X 8
15-9	13005025	2	.NUT, FLAT SPRING	4MM
15-10	13005020	1	.SCREW - SPECIAL	3 X 0.5 X 40
15-11	13005021	1	.SPRING	
15-12	13005022	1	.NUT - SPECIAL	3 X 0.5
15-13	11105052	1	.SCREW - SPECIAL	5 X 8 CHROME
15-14	11105050	1	.HI-BEAM INDICATOR ASSY	
15-15	11105013	1	..LAMP	6V 1.5W
15-16	11105049	1	.HARNES ADAPTER	
15-17	13005024	1	.GROMMET, HEADLIGHT SHELL	
15-18	13004222	2	.GROMMET, HEADLIGHT MOUNTING	SQUARE HOLE
15-19	13004262	2	.NUT, HEADLIGHT MOUNTING	8MM SPECIAL
15-20	11105002	2	TURN SIGNAL ASSY	
			QUANTITIES OF ITEMS 21 THRU 28 ARE REQUIREMENTS FOR ONE OF EACH TURN SIGNAL ASSY	
15-21	11105069	1	.LAMP	6V. 18W
15-22	13005028	1	.GASKET	
15-23	11105006	1	.LENS	
15-24	11105007	2	.SCREW	3 X 23 SPECIAL
15-25	61106030	1	.BOLT	6 X 1.0 X 30
15-26	62000106	1	.WASHER	6MM
15-27	62001106	1	.LOCKWASHER	6MM
15-28	61500106	1	.NUT	6 X 1.0
15-29	11104291	2	LOCKWASHER, INTERNAL TOOTH	8MM
			ALL OF THE ABOVE ARE FOR MI ONLY	

TAILLIGHT & TURN SIGNAL







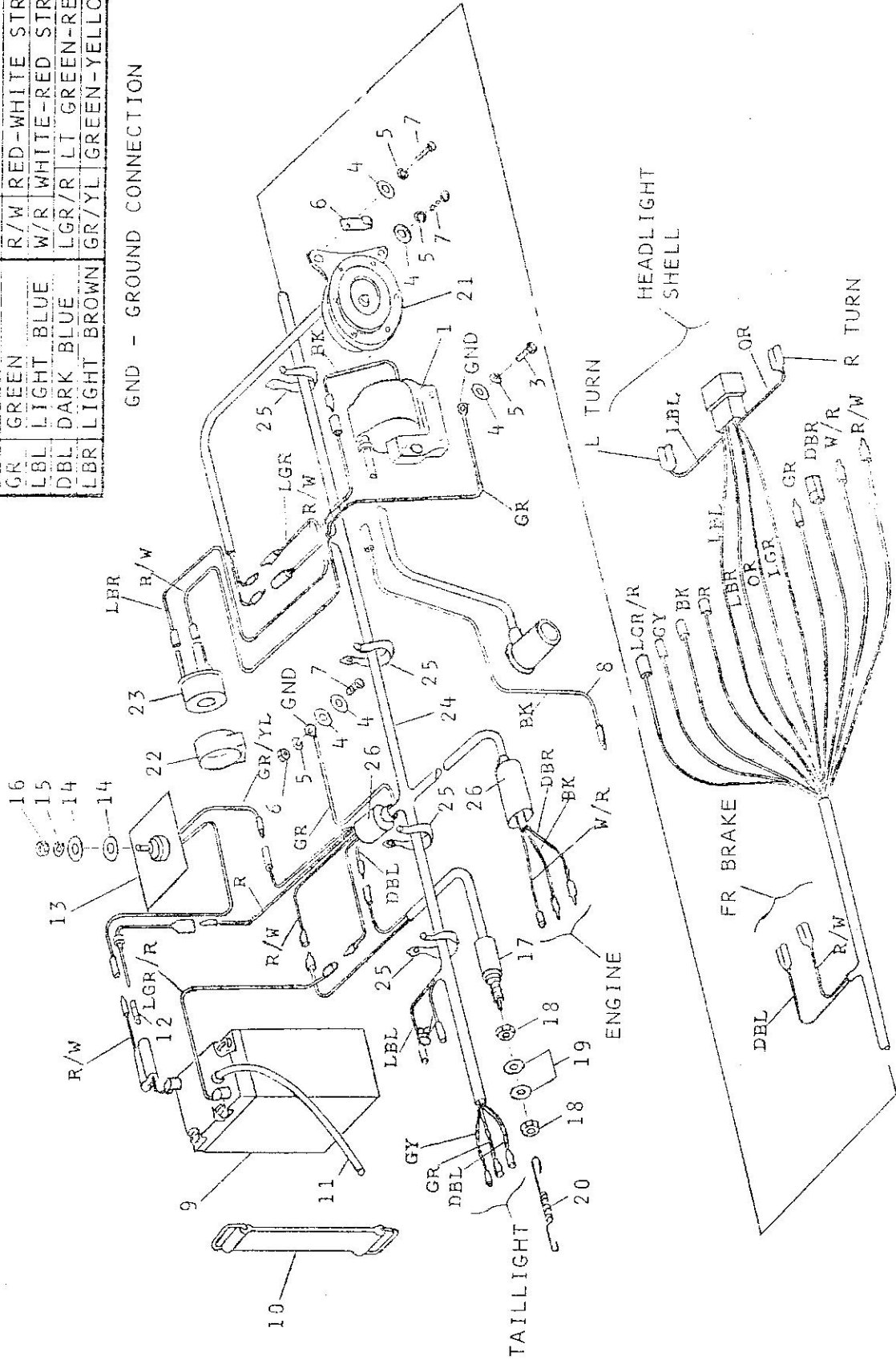
REF. NO.	PART NUMBER	QTY	DESCRIPTION	REMARKS
16-1	11105062	1	TAILLIGHT ASSY	
16-2	11105060	1	.LAMP	6V 15/5.3W
16-3	11105055	1	.GASKET	
16-4	11105056	1	.LENS	
16-5	11105057	4	.SCREW	4 X 50 SPECIAL
16-6	11104133	3	CUSHION WASHER	
16-7	62000106	3	WASHER	6MM
16-8	61106016	2	BOLT	6 X 1.0 X 16
16-9	61106020	1	BOLT	6 X 1.0 X 20
16-10	11105002	2	TURN SIGNAL ASSY	
			SEE FIGURE 15 FOR TURN SIGNAL ASSY SPARES	
16-11	11104291	2	LOCKWASHER INTERNAL TOOTH	8MM
16-12	61500108	2	NUT	8 X 1.25
			ALL OF THE ABOVE ARE FOR MI ONLY	

FIGURE - 17

WIRE HARNESS & MISC ELECT

R	RED	DBR	DARK BROWN
OR	ORANGE	GY	GRAY
LGR	LIGHT GREEN	BK	BLACK
GR	GREEN	R/W	RED-WHITE STR.
LBL	LIGHT BLUE	W/R	WHITE-RED STR.
DBL	DARK BLUE	LGR/R	LT GREEN-RED STR.
LBR	LIGHT BROWN	GR/YL	GREEN-YELLOW STR.

GND - GROUND CONNECTION





REF. NO.	PART NUMBER	QTY	DESCRIPTION	REMARKS
17-1	50205018	1	IGNITION COIL	
17-3	61106025	2	BOLT	} 3 REQ'D ON MT 6 X 1.0 X 25 6MM 6MM
17-4	62000106	6	WASHER	
17-5	62001106	5	LOCKWASHER	
17-6	11104273	1	CABLE GUIDE	
17-7	61106016	3	BOLT - 1 REQ'D ON MT	6 X 1.0 X 16
17-8	15105899	1	COIL WIRE - MT ONLY	
- FOLLOWING PARTS ON MI ONLY -				
17-9	11105058	1	BATTERY	INCLUDES FUSE HOLDER
17-10	74-0163	1	STRAP	
17-11	74-0164	1	VENT HOSE	
17-12	74-0260	1	FUSE	10A
17-13	11115010	1	RECTIFIER	
17-14	62000205	2	WASHER	5MM LARGE
17-15	62001105	1	LOCKWASHER	5MM
17-16	61500105	1	NUT	5 X 0.8 X 1
17-17	11105054	1	SWITCH, STOP LIGHT	INCLUDES MOUNTING NUTS
17-18	23001050	2	.NUT - SPECIAL	12 X 1.25 THIN
17-19	62000112	2	.WASHER	12MM
17-20	74-0148	1	SPRING, STOP LIGHT SWITCH	
17-21	11105009	1	HORN	
	REF ITEM 7		BOLT	
	REF ITEM 4		WASHER	
	REF ITEM 5		LOCKWASHER	
17-22	11105072	1	MOUNT, SIGNAL FLASHER	
17-23	11105071	1	SIGNAL FLASHER RELAY	
17-24	15005898	1	HARNESS ASSY	
17-25	13004179	4	TIE STRAP - SMALL	
17-26	11105015	2	BOOT, HARNESS CONNECTOR	
	REF ITEM 7		BOLT	
	REF ITEM 4		WASHER	
	REF ITEM 5		LOCKWASHER	
17-27	61500106	1	NUT	6 X 1.0

